

The logo for Ferrolì, featuring the brand name in a bold, black, sans-serif font. A stylized orange arc is positioned above the 'o' in 'Ferrolì'.

PEGASUS F2 N T

LISTA PEZZI DI RICAMBIO

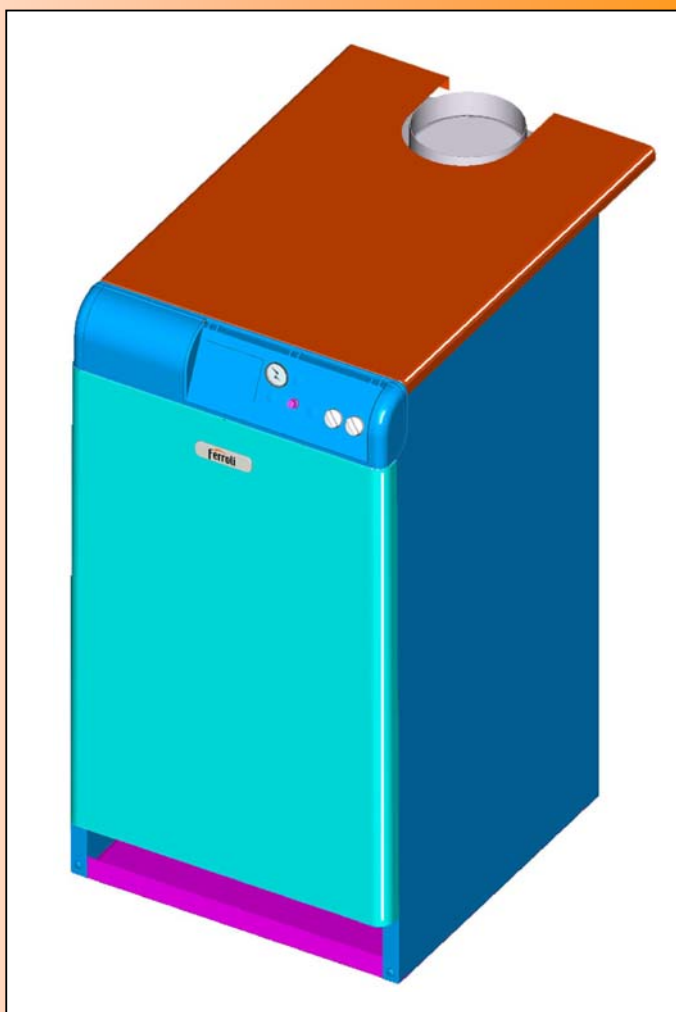
SPARE PART LIST

ERSATZSTEILE

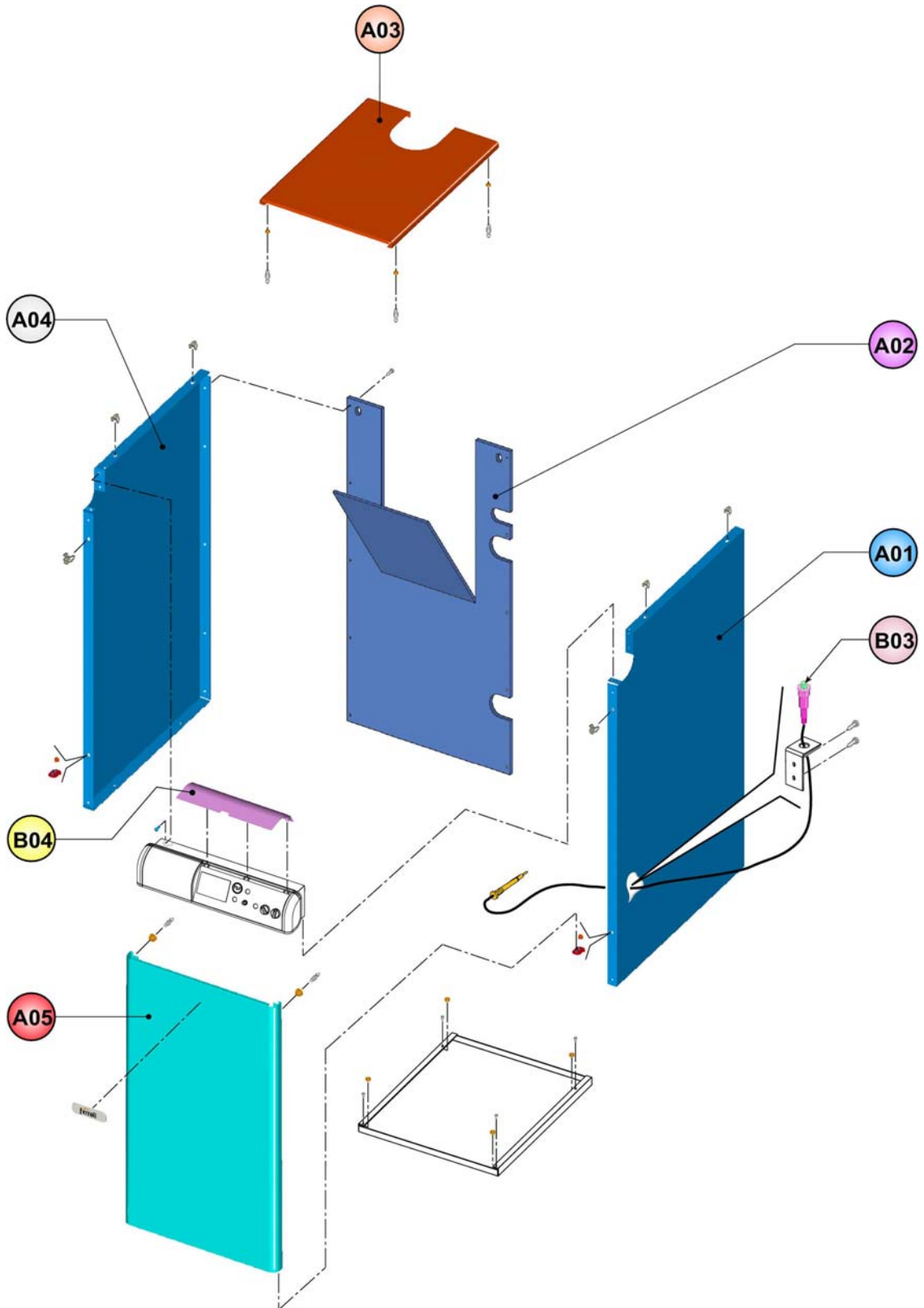
LIJST ONDERDELEN

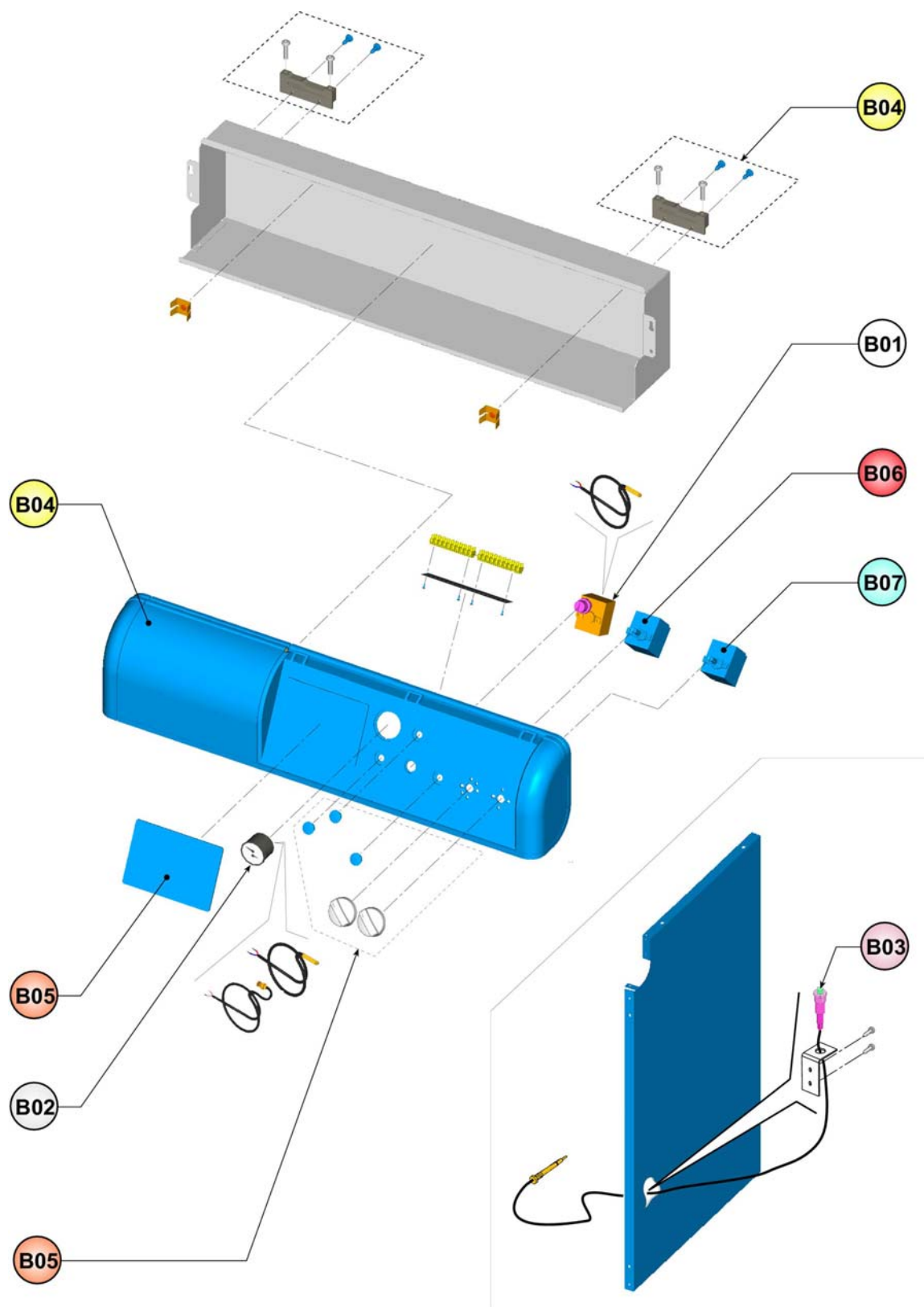
LISTE PIECES DETACHES

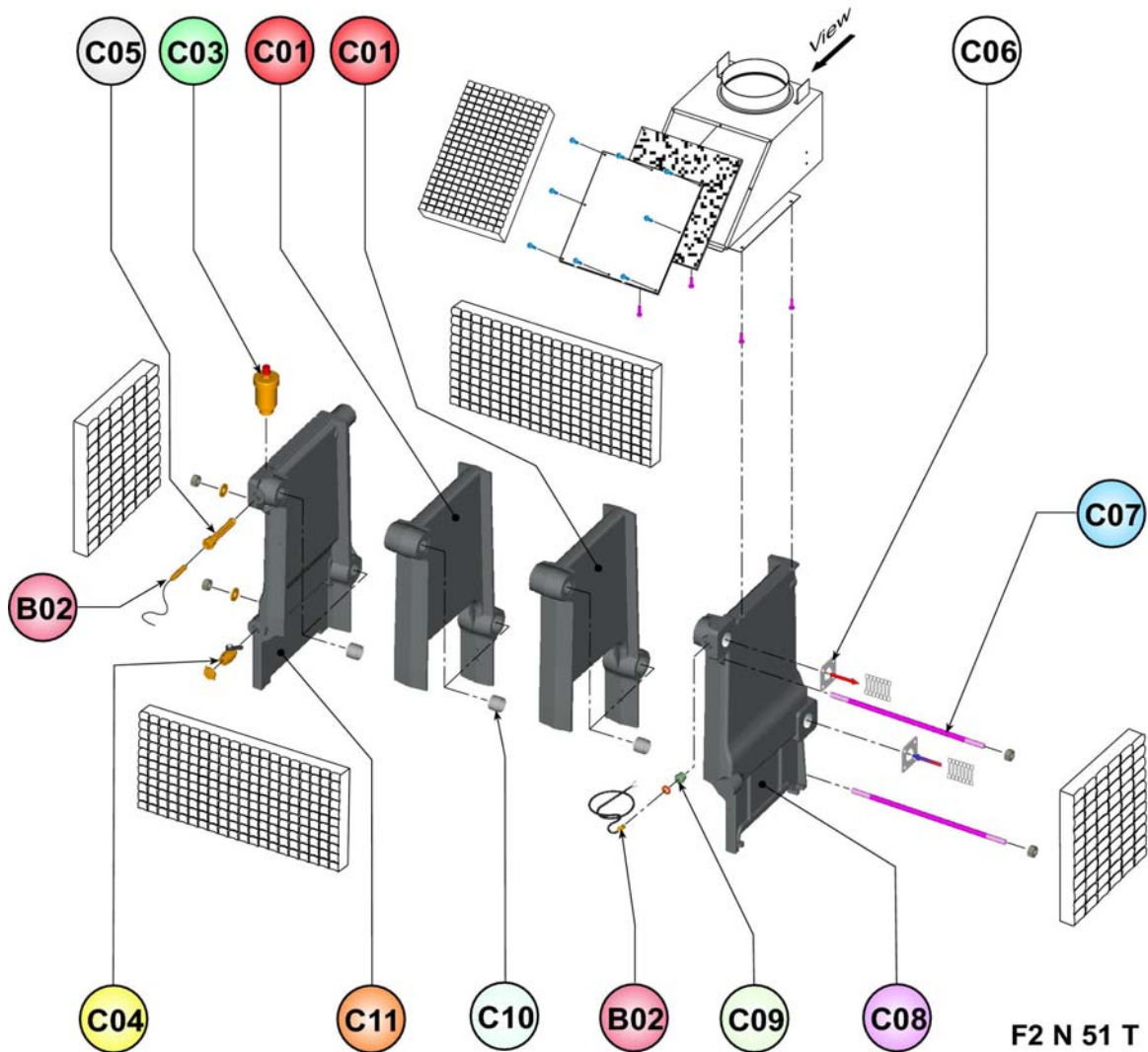
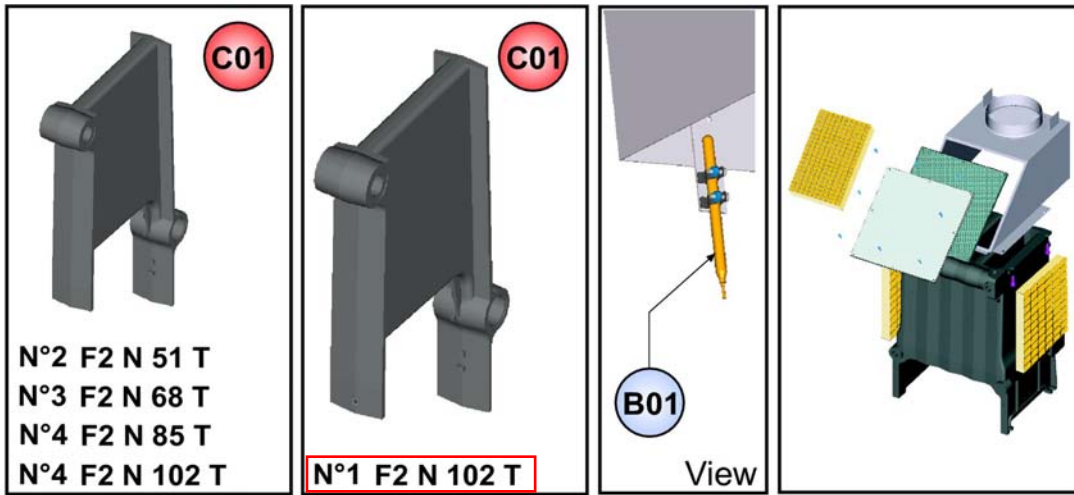
LISTA PIEZAS DE REPUESTO



| CODICE | EDIZIONE | MERCATO |
|-------------------|-------------------|----------------|
| 30K0264000 | 03/11/2005 | EX-DZ |







LISTA PEZZI 0E2K4AEA**PEGASUS F2 N 51 T (EX)**

| POS. | CODICE | DESC. | QT. |
|-------------|---------------|---------------------------------|------------|
| A01 | 39818870 | KIT FIANCO DEX. (31104270) | 1 |
| A02 | 39818890 | KIT PARETE POST.4 (31104060) | 1 |
| A03 | 39818930 | KIT COPERCHIO 4 (31104140) | 1 |
| A04 | 39818880 | KIT FIANCO SIN. (31104290) | 1 |
| A05 | 39818970 | KIT PORTA 4 (31104220) | 1 |
| B01 | 39816110 | KIT TST FUMI (36401810) | 1 |
| B02 | 39816100 | KIT T/IDR.0-8b.C1500 (36402010) | 1 |
| B03 | 39819010 | KIT ACCENDIT.PIEZO (36701160) | 1 |
| B04 | 39819020 | KIT CRUSCOTTO 4 (38512560) | 1 |
| B05 | 39813580 | KIT MANOP.+ TAPPI (35008000) | 1 |
| B06 | 39802290 | KIT TERMOST.REG.TR2 (36401210) | 1 |
| B07 | 39813590 | KIT INTERR.BIP.4RH (36100440) | 1 |
| C01 | 39813640 | KIT ELEM.INT.FOR.M6 (39403780) | 1 |
| C03 | 39801160 | KIT V.ARIA 1/2" (36900880) | 1 |
| C04 | 39813780 | KIT RUBIN.SCAR.3/4" (36800490) | 1 |
| C05 | 39813620 | KIT GUAINA 1/2"X130 (33400690) | 1 |
| C06 | 39813770 | KIT GUARN.102X102 (35101010) | 1 |
| C07 | 39819060 | KIT TIRANTE M12X320 (34403640) | 1 |
| C08 | 39813630 | KIT ELEM.DEX. (39403770) | 1 |
| C09 | 39813760 | KIT V/RITEGNO 1/4" (36901140) | 1 |
| C10 | 39813670 | KIT BICONO (34204000) | 1 |
| C11 | 39813660 | KIT ELEM.SIN. (39403790) | 1 |
| D01 | 39814060 | KIT BRUC.PRINCIPALE (37608010) | 1 |
| D02 | 39802280 | KIT V/G V4600C 1193 (36802060) | 1 |
| D03 | 39819100 | KIT B/P 616CF/40.1 (36702390) | 1 |
| D04 | 39819110 | KIT ELETTRODO ACC. (36702400) | 1 |
| D05 | 39819120 | KIT ISOL.PORTA (35319650) | 1 |
| D06 | 39819160 | KIT N°3 UG.3,50 (34009280) | 1 |
| D07 | 39819200 | KIT N°3 UG.2,15 (34009670) | 1 |

LISTA PEZZI OE2K4AZA**PEGASUS F2 N 51 T (DZ)**

| POS. | CODICE | DESC. | QT. |
|-------------|---------------|---------------------------------|------------|
| A01 | 39818870 | KIT FIANCO DEX. (31104270) | 1 |
| A02 | 39818890 | KIT PARETE POST.4 (31104060) | 1 |
| A03 | 39818930 | KIT COPERCHIO 4 (31104140) | 1 |
| A04 | 39818880 | KIT FIANCO SIN. (31104290) | 1 |
| A05 | 39818970 | KIT PORTA 4 (31104220) | 1 |
| B01 | 39816110 | KIT TST FUMI (36401810) | 1 |
| B02 | 39816100 | KIT T/IDR.0-8b.C1500 (36402010) | 1 |
| B03 | 39819010 | KIT ACCENDIT.PIEZO (36701160) | 1 |
| B04 | 39819020 | KIT CRUSCOTTO 4 (38512560) | 1 |
| B05 | 39813580 | KIT MANOP.+ TAPPI (35008000) | 1 |
| B06 | 39802290 | KIT TERMOST.REG.TR2 (36401210) | 1 |
| B07 | 39813590 | KIT INTERR.BIP.4RH(36100440) | 1 |
| C01 | 39813640 | KIT ELEM.INT.FOR.M6 (39403780) | 1 |
| C03 | 39801160 | KIT V.ARIA 1/2" (36900880) | 1 |
| C04 | 39813780 | KIT RUBIN.SCAR.3/4" (36800490) | 1 |
| C05 | 39813620 | KIT GUAINA 1/2"X130 (33400690) | 1 |
| C06 | 39813770 | KIT GUARN.102X102 (35101010) | 1 |
| C07 | 39819060 | KIT TIRANTE M12X320 (34403640) | 1 |
| C08 | 39813630 | KIT ELEM.DEX. (39403770) | 1 |
| C09 | 39813760 | KIT V/RITEGNO 1/4" (36901140) | 1 |
| C10 | 39813670 | KIT BICONO (34204000) | 1 |
| C11 | 39813660 | KIT ELEM.SIN. (39403790) | 1 |
| D01 | 39814060 | KIT BRUC.PRINCIPALE (37608010) | 1 |
| D02 | 39802280 | KIT V/G V4600C 1193 (36802060) | 1 |
| D03 | 39819100 | KIT B/P 616CF/40.1 (36702390) | 1 |
| D04 | 39819110 | KIT ELETTRODO ACC. (36702400) | 1 |
| D05 | 39819120 | KIT ISOL.PORTA (35319650) | 1 |
| D06 | 39819160 | KIT N°3 UG.3,50 (34009280) | 1 |
| D07 | 39819200 | KIT N°3 UG.2,15 (34009670) | 1 |

LISTA PEZZI 0E2K5AEA**PEGASUS F2 N 68 T (EX)**

| POS. | CODICE | DESC. | QT. |
|-------------|---------------|---------------------------------|------------|
| A01 | 39818870 | KIT FIANCO DEX. (31104270) | 1 |
| A02 | 39818900 | KIT PARETE POST.5 (31104070) | 1 |
| A03 | 39818940 | KIT COPERCHIO 5 (31104150) | 1 |
| A04 | 39818880 | KIT FIANCO SIN. (31104290) | 1 |
| A05 | 39818980 | KIT PORTA 5 (31104230) | 1 |
| B01 | 39816110 | KIT TST FUMI (36401810) | 1 |
| B02 | 39816100 | KIT T/IDR.0-8b.C1500 (36402010) | 1 |
| B03 | 39819010 | KIT ACCENDIT.PIEZO (36701160) | 1 |
| B04 | 39819030 | KIT CRUSCOTTO 5 (38512570) | 1 |
| B05 | 39813580 | KIT MANOP.+ TAPPI (35008000) | 1 |
| B06 | 39802290 | KIT TERMOST.REG.TR2 (36401210) | 1 |
| B07 | 39813590 | KIT INTERR.BIP.4RH (36100440) | 1 |
| C01 | 39813640 | KIT ELEM.INT.FOR.M6 (39403780) | 1 |
| C03 | 39801160 | KIT V.ARIA 1/2" (36900880) | 1 |
| C04 | 39813780 | KIT RUBIN.SCAR.3/4" (36800490) | 1 |
| C05 | 39813620 | KIT GUAINA 1/2"X130 (33400690) | 1 |
| C06 | 39813770 | KIT GUARN.102X102 (35101010) | 1 |
| C08 | 39813630 | KIT ELEM.DEX. (39403770) | 1 |
| C09 | 39813760 | KIT V/RITEGNO 1/4" (36901140) | 1 |
| C10 | 39813670 | KIT BICONO (34204000) | 1 |
| C11 | 39813660 | KIT ELEM.SIN. (39403790) | 1 |
| D01 | 39814060 | KIT BRUC.PRINCIPALE (37608010) | 1 |
| D02 | 39802280 | KIT V/G V4600C 1193 (36802060) | 1 |
| D03 | 39819100 | KIT B/P 616CF/40.1 (36702390) | 1 |
| D04 | 39819110 | KIT ELETTRODO ACC. (36702400) | 1 |
| D05 | 39819130 | KIT ISOL.PORTA (35319660) | 1 |
| D06 | 39819170 | KIT N°4 UG.3,50 (34009280) | 1 |
| D07 | 39819210 | KIT N°4 UG.2,15 (34009670) | 1 |

LISTA PEZZI OE2K5AZA**PEGASUS F2 N 68 T (DZ)**

| POS. | CODICE | DESC. | QT. |
|-------------|---------------|--------------------------------|------------|
| A01 | 39818870 | KIT FIANCO DEX. (31104270) | 1 |
| A02 | 39818900 | KIT PARETE POST.5 (31104070) | 1 |
| A03 | 39818940 | KIT COPERCHIO 5 (31104150) | 1 |
| A04 | 39818880 | KIT FIANCO SIN. (31104290) | 1 |
| A05 | 39818980 | KIT PORTA 5 (31104230) | 1 |
| B01 | 39816110 | KIT TST FUMI (36401810) | 1 |
| B02 | 39816100 | KIT T/IDR.0-8b.C1500(36402010) | 1 |
| B03 | 39819010 | KIT ACCENDIT.PIEZO (36701160) | 1 |
| B04 | 39819030 | KIT CRUSCOTTO 5 (38512570) | 1 |
| B05 | 39813580 | KIT MANOP. + TAPPI (35008000) | 1 |
| B06 | 39802290 | KIT TERMOST.REG.TR2 (36401210) | 1 |
| B07 | 39813590 | KIT INTERR.BIP.4RH (36100440) | 1 |
| C01 | 39813640 | KIT ELEM.INT.FOR.M6 (39403780) | 1 |
| C03 | 39801160 | KIT V.ARIA 1/2" (36900880) | 1 |
| C04 | 39813780 | KIT RUBIN.SCAR.3/4" (36800490) | 1 |
| C05 | 39813620 | KIT GUAINA 1/2"X130 (33400690) | 1 |
| C06 | 39813770 | KIT GUARN.102X102 (35101010) | 1 |
| C08 | 39813630 | KIT ELEM.DEX. (39403770) | 1 |
| C09 | 39813760 | KIT V/RITEGNO 1/4" (36901140) | 1 |
| C10 | 39813670 | KIT BICONO (34204000) | 1 |
| C11 | 39813660 | KIT ELEM.SIN. (39403790) | 1 |
| D01 | 39814060 | KIT BRUC.PRINCIPALE (37608010) | 1 |
| D02 | 39802280 | KIT V/G V4600C 1193 (36802060) | 1 |
| D03 | 39819100 | KIT B/P 616CF/40.1 (36702390) | 1 |
| D04 | 39819110 | KIT ELETTRODO ACC. (36702400) | 1 |
| D05 | 39819130 | KIT ISOL.PORTA (35319660) | 1 |
| D06 | 39819170 | KIT N°4 UG.3,50 (34009280) | 1 |
| D07 | 39819210 | KIT N°4 UG.2,15 (34009670) | 1 |

LISTA PEZZI OE2K6AEA**PEGASUS F2 N 85 T (EX)**

| POS. | CODICE | DESC. | QT. |
|-------------|---------------|---------------------------------|------------|
| A01 | 39818870 | KIT FIANCO DEX. (31104270) | 1 |
| A02 | 39818910 | KIT PARETE POST.6 (31104080) | 1 |
| A04 | 39818880 | KIT FIANCO SIN. (31104290) | 1 |
| A05 | 39818990 | KIT PORTA 6 (31104240) | 1 |
| B01 | 39816110 | KIT TST FUMI (36401810) | 1 |
| B02 | 39816100 | KIT T/IDR.0-8b.C1500 (36402010) | 1 |
| B03 | 39819010 | KIT ACCENDIT.PIEZO (36701160) | 1 |
| B04 | 39819040 | KIT CRUSCOTTO 6 (38512580) | 1 |
| B05 | 39813580 | KIT MANOP. + TAPPI (35008000) | 1 |
| B06 | 39802290 | KIT TERMOST.REG.TR2 (36401210) | 1 |
| B07 | 39813590 | KIT INTERR.BIP.4RH (36100440) | 1 |
| C01 | 39813640 | KIT ELEM.INT.FOR.M6 (39403780) | 1 |
| C03 | 39801160 | KIT V.ARIA 1/2" (36900880) | 1 |
| C04 | 39813780 | KIT RUBIN.SCAR.3/4" (36800490) | 1 |
| C05 | 39813620 | KIT GUAINA 1/2"X130 (33400690) | 1 |
| C06 | 39813770 | KIT GUARN.102X102 (35101010) | 1 |
| C08 | 39813630 | KIT ELEM.DEX. (39403770) | 1 |
| C09 | 39813760 | KIT V/RITEGNO 1/4" (36901140) | 1 |
| C10 | 39813670 | KIT BICONO (34204000) | 1 |
| C11 | 39813660 | KIT ELEM.SIN. (39403790) | 1 |
| D01 | 39814060 | KIT BRUC.PRINCIPALE (37608010) | 1 |
| D02 | 39819240 | KIT V/G V4400C 1211 (36801100) | 1 |
| D03 | 39819100 | KIT B/P 616CF/40.1 (36702390) | 1 |
| D04 | 39819110 | KIT ELETTRODO ACC. (36702400) | 1 |
| D05 | 39819140 | KIT ISOL.PORTA (35319670) | 1 |
| D06 | 39819180 | KIT N°5 UG.3,50 (34009280) | 1 |
| D07 | 39819220 | KIT N°5 UG.2,15 (34009670) | 1 |

LISTA PEZZI OE2K6AZA**PEGASUS F2 N 85 T (DZ)**

| POS. | CODICE | DESC. | QT. |
|-------------|---------------|---------------------------------|------------|
| A01 | 39818870 | KIT FIANCO DEX. (31104270) | 1 |
| A02 | 39818910 | KIT PARETE POST.6 (31104080) | 1 |
| A04 | 39818880 | KIT FIANCO SIN. (31104290) | 1 |
| A05 | 39818990 | KIT PORTA 6 (31104240) | 1 |
| B01 | 39816110 | KIT TST FUMI (36401810) | 1 |
| B02 | 39816100 | KIT T/IDR.0-8b.C1500 (36402010) | 1 |
| B03 | 39819010 | KIT ACCENDIT.PIEZO (36701160) | 1 |
| B04 | 39819040 | KIT CRUSCOTTO 6 (38512580) | 1 |
| B05 | 39813580 | KIT MANOP. + TAPPI (35008000) | 1 |
| B06 | 39802290 | KIT TERMOST.REG.TR2 (36401210) | 1 |
| B07 | 39813590 | KIT INTERR.BIP.4RH (36100440) | 1 |
| C01 | 39813640 | KIT ELEM.INT.FOR.M6 (39403780) | 1 |
| C03 | 39801160 | KIT V.ARIA 1/2" (36900880) | 1 |
| C04 | 39813780 | KIT RUBIN.SCAR.3/4" (36800490) | 1 |
| C05 | 39813620 | KIT GUAINA 1/2"X130 (33400690) | 1 |
| C06 | 39813770 | KIT GUARN.102X102 (35101010) | 1 |
| C08 | 39813630 | KIT ELEM.DEX. (39403770) | 1 |
| C09 | 39813760 | KIT V/RITEGNO 1/4" (36901140) | 1 |
| C10 | 39813670 | KIT BICONO (34204000) | 1 |
| C11 | 39813660 | KIT ELEM.SIN. (39403790) | 1 |
| D01 | 39814060 | KIT BRUC.PRINCIPALE (37608010) | 1 |
| D02 | 39819240 | KIT V/G V4400C 1211 (36801100) | 1 |
| D03 | 39819100 | KIT B/P 616CF/40.1 (36702390) | 1 |
| D04 | 39819110 | KIT ELETTRODO ACC. (36702400) | 1 |
| D05 | 39819140 | KIT ISOL.PORTA (35319670) | 1 |
| D06 | 39819180 | KIT N°5 UG.3,50 (34009280) | 1 |
| D07 | 39819220 | KIT N°5 UG.2,15 (34009670) | 1 |

LISTA PEZZI OE2K7AEA**PEGASUS F2 N 102 T (EX)**

| POS. | CODICE | DESC. | QT. |
|-------------|---------------|--------------------------------|------------|
| A01 | 39818870 | KIT FIANCO DEX. (31104270) | 1 |
| A02 | 39818920 | KIT PARETE POST.7 (31104090) | 1 |
| A03 | 39818960 | KIT COPERCHIO 7 (31104170) | 1 |
| A04 | 39818880 | KIT FIANCO SIN. (31104290) | 1 |
| A05 | 39819000 | KIT PORTA 7 (31104250) | 1 |
| B01 | 39816110 | KIT TST FUMI (36401810) | 1 |
| B02 | 39816100 | KIT T/IDR.0-8b.C1500(36402010) | 1 |
| B03 | 39819010 | KIT ACCENDIT.PIEZO (36701160) | 1 |
| B04 | 39819050 | KIT CRUSCOTTO 7 (38512590) | 1 |
| B05 | 39813580 | KIT MANOP. + TAPPI (35008000) | 1 |
| B06 | 39802290 | KIT TERMOST.REG.TR2 (36401210) | 1 |
| B07 | 39813590 | KIT INTERR.BIP.4RH (36100440) | 1 |
| C01 | 39813640 | KIT ELEM.INT.FOR.M6 (39403780) | 1 |
| C03 | 39801160 | KIT V.ARIA 1/2" (36900880) | 1 |
| C04 | 39813780 | KIT RUBIN.SCAR.3/4" (36800490) | 1 |
| C05 | 39813620 | KIT GUAINA 1/2"X130 (33400690) | 1 |
| C06 | 39813770 | KIT GUARN.102X102 (35101010) | 1 |
| C08 | 39813630 | KIT ELEM.DEX. (39403770) | 1 |
| C09 | 39813760 | KIT V/RITEGNO 1/4" (36901140) | 1 |
| C10 | 39813670 | KIT BICONO (34204000) | 1 |
| C11 | 39813660 | KIT ELEM.SIN. (39403790) | 1 |
| D01 | 39814060 | KIT BRUC.PRINCIPALE (37608010) | 1 |
| D02 | 39819240 | KIT V/G V4400C 1211 (36801100) | 1 |
| D03 | 39819100 | KIT B/P 616CF/40.1 (36702390) | 1 |
| D04 | 39819110 | KIT ELETTRODO ACC. (36702400) | 1 |
| D05 | 39819150 | KIT ISOL.PORTA (35319680) | 1 |
| D06 | 39819190 | KIT N°6 UG.3,50 (34009280) | 1 |
| D07 | 39819230 | KIT N°6 UG.2,15 (34009670) | 1 |

LISTA PEZZI OE2K7AZA

PEGASUS F2 N 102 T (DZ)

| POS. | CODICE | DESC. | QT. |
|------|----------|---------------------------------|-----|
| A01 | 39818870 | KIT FIANCO DEX. (31104270) | 1 |
| A02 | 39818920 | KIT PARETE POST.7 (31104090) | 1 |
| A03 | 39818960 | KIT COPERCHIO 7 (31104170) | 1 |
| A04 | 39818880 | KIT FIANCO SIN. (31104290) | 1 |
| A05 | 39819000 | KIT PORTA 7 (31104250) | 1 |
| B01 | 39816110 | KIT TST FUMI (36401810) | 1 |
| B02 | 39816100 | KIT T/IDR.0-8b.C1500 (36402010) | 1 |
| B03 | 39819010 | KIT ACCENDIT.PIEZO (36701160) | 1 |
| B04 | 39819050 | KIT CRUSCOTTO 7 (38512590) | 1 |
| B05 | 39813580 | KIT MANOP.+ TAPPI (35008000) | 1 |
| B06 | 39802290 | KIT TERMOST.REG.TR2 (36401210) | 1 |
| B07 | 39813590 | KIT INTERR.BIP.4RH (36100440) | 1 |
| C01 | 39813640 | KIT ELEM.INT.FOR.M6(39403780) | 1 |
| C03 | 39801160 | KIT V.ARIA 1/2" (36900880) | 1 |
| C04 | 39813780 | KIT RUBIN.SCAR.3/4" (36800490) | 1 |
| C05 | 39813620 | KIT GUAINA 1/2"X130 (33400690) | 1 |
| C06 | 39813770 | KIT GUARN.102X102 (35101010) | 1 |
| C08 | 39813630 | KIT ELEM.DEX. (39403770) | 1 |
| C09 | 39813760 | KIT V/RITEGNO 1/4" (36901140) | 1 |
| C10 | 39813670 | KIT BICONO (34204000) | 1 |
| C11 | 39813660 | KIT ELEM.SIN. (39403790) | 1 |
| D01 | 39814060 | KIT BRUC.PRINCIPALE (37608010) | 1 |
| D02 | 39819240 | KIT V/G V4400C 1211 (36801100) | 1 |
| D03 | 39819100 | KIT B/P 616CF/40.1 (36702390) | 1 |
| D04 | 39819110 | KIT ELETTRODO ACC. (36702400) | 1 |
| D05 | 39819150 | KIT ISOL.PORTA (35319680) | 1 |
| D06 | 39819190 | KIT N°6 UG.3.50 (34009280) | 1 |
| D07 | 39819230 | KIT N°6 UG.2.15 (34009670) | 1 |

DESCRIZIONE MODIFICHE:

NOTE TECNICHE:



Firma

DI CARLO Cristian